

Shamrock

Ebb & Flow Ltd

Ruskin Mill Old Bristol Road Nailsworth
Gloucestershire GL6 0LA

TEL / FAX: 01453 836060

Email: info@ebbandflowltd.co.uk

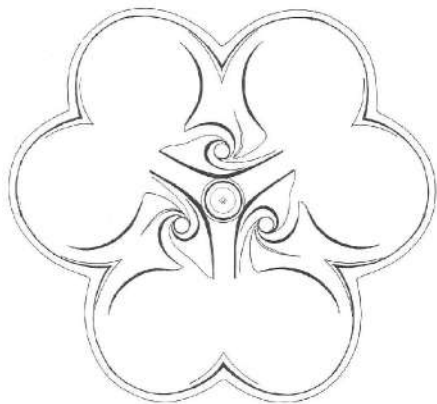
www.ebbandflowltd.co.uk



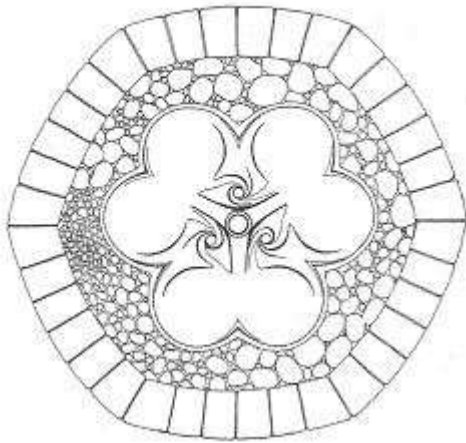
The Shamrock Flowform is one of a range of water features unique in that the water flowing through them take up a pulsing figure-of-eight movement.

A large radial form, the Shamrock is an impressive water feature that is ideal for larger interior spaces or a wide variety of landscape settings including water play, therapy/ sensory gardens and pond aeration.

The Shamrock can be positioned at ground level, floating within a pond setting or set in a raised bed setting (with or without seating).



Design © Iris Water & Design



EXAMPLE OF A RAISED PEBBLE POND SETTING

A similar arrangement can be used for sunken pond settings.

Shamrock Technical (cast item only)

Flow rate: 250 litres/min

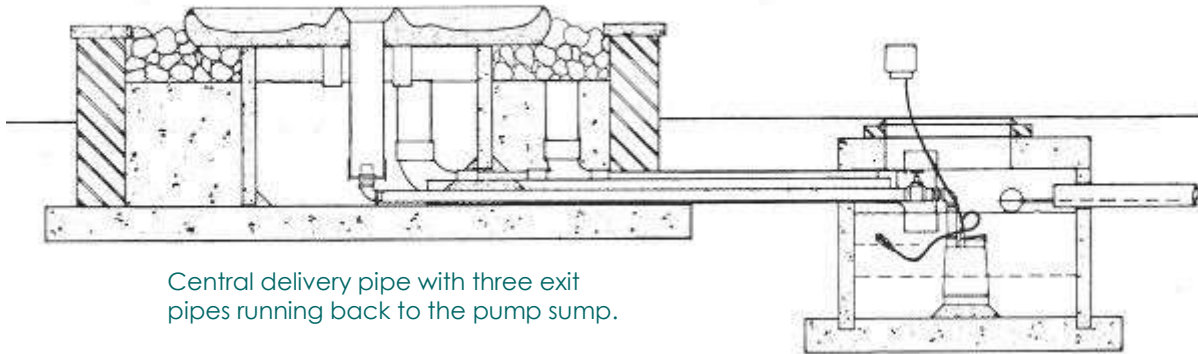
Diameter: 1700 mm

Thickness: 190 mm

Weight: 450 kg

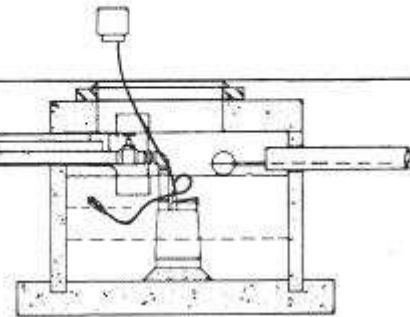
Material: Cast granite stone with hand etched finish

Colour: Green, Red or Black

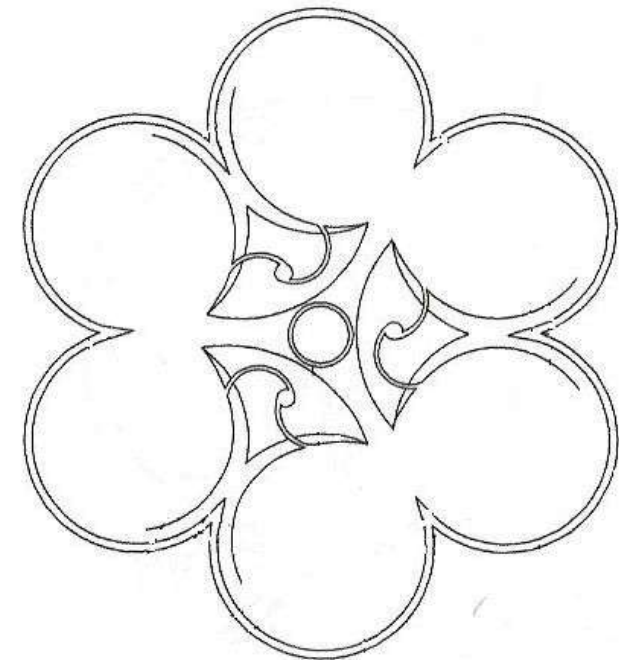
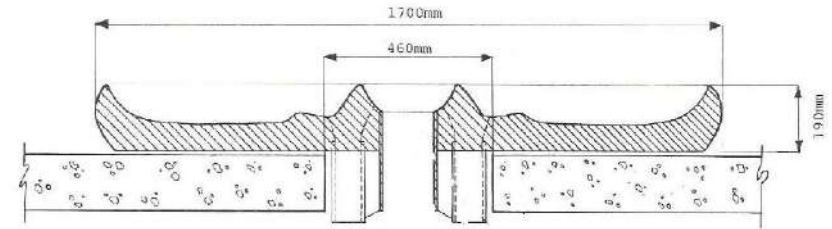


Central delivery pipe with three exit pipes running back to the pump sump.

Shamrock can also sit in a raised reservoir arrangement with pond plants.



Pump housed in separate sump tank with float valve.



Stainless steel filter device set available where required (avoids debris and pebbles from falling or being thrown down the holes).