

IONA

Ebb & Flow

ABOUT



The Iona is a unique self-contained water sculpture inspired by Celtic art. With its intriguing three-fold spiralling water movement the Iona can provide a striking focus for a wide range of settings where a gentle sound is required. It is suitable for garden lawns, borders, rockeries and patios and for internal spaces such as offices, reception areas and conservatories.

Design © Iris Water & Design

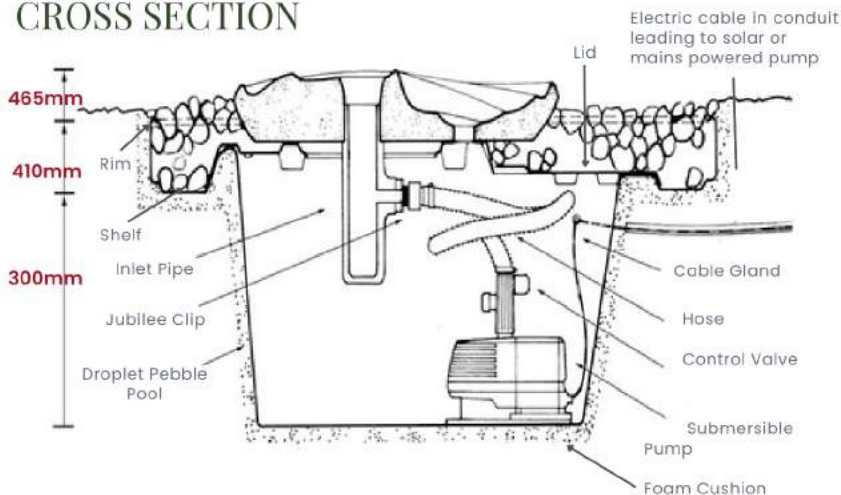
The sculpture can be installed either above ground or below ground. It can provide a striking focal point in a wide range of settings, including public spaces, gardens, lawns, borders, rockeries, and patios. It can also be used internally in offices, reception areas and conservatories. Setting it in a raised bed (enclosed with a low stone wall or timber surround) will allow people to engage with the sculpture nearer to eye level. The sculpture may also be purchased with the intention of installing it in or next to an existing pond. In this case, Ebb & Flow Ltd. can supply the sculpture, pump etc. without the Droplet Pebble Pool. Please get in touch for further advice.

Iona Technical Information

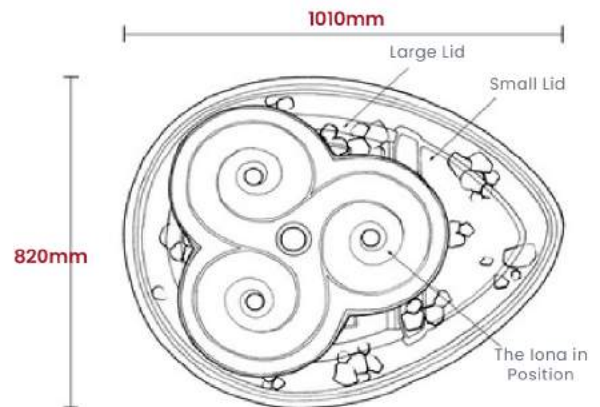
Flow rate: 27 litres/min
Diameter: 705 mm
Height: 95 mm
Weight: 28kg
Material: Cast granite stone - hand etched finish
Colours: Grey-green, red or cream

120 litre Droplet Pebble Pool :
Width: 820 mm
Length: 1010 mm
Height: 410 mm
Weight: 9.5 kg
Material: Tough roto-moulded medium density recyclable polyethylene

CROSS SECTION



PLAN VIEW



DROPLET PEBBLE POOL + PLUMBING KIT



The Iona can be supplied as a complete kit on a 'Droplet Pebble Pool' which includes:
230V submersible pump with 10m of cable and foam cushion
Two lids and a fitted cable gland
PVC inlet pipe
Heavy duty hose and fittings
Full-bore control valve
Stainless steel jubilee clips
A shelf for 'marginal' plants (100mm deep)
(Pebbles can also be supplied - approximately 60kg are required)